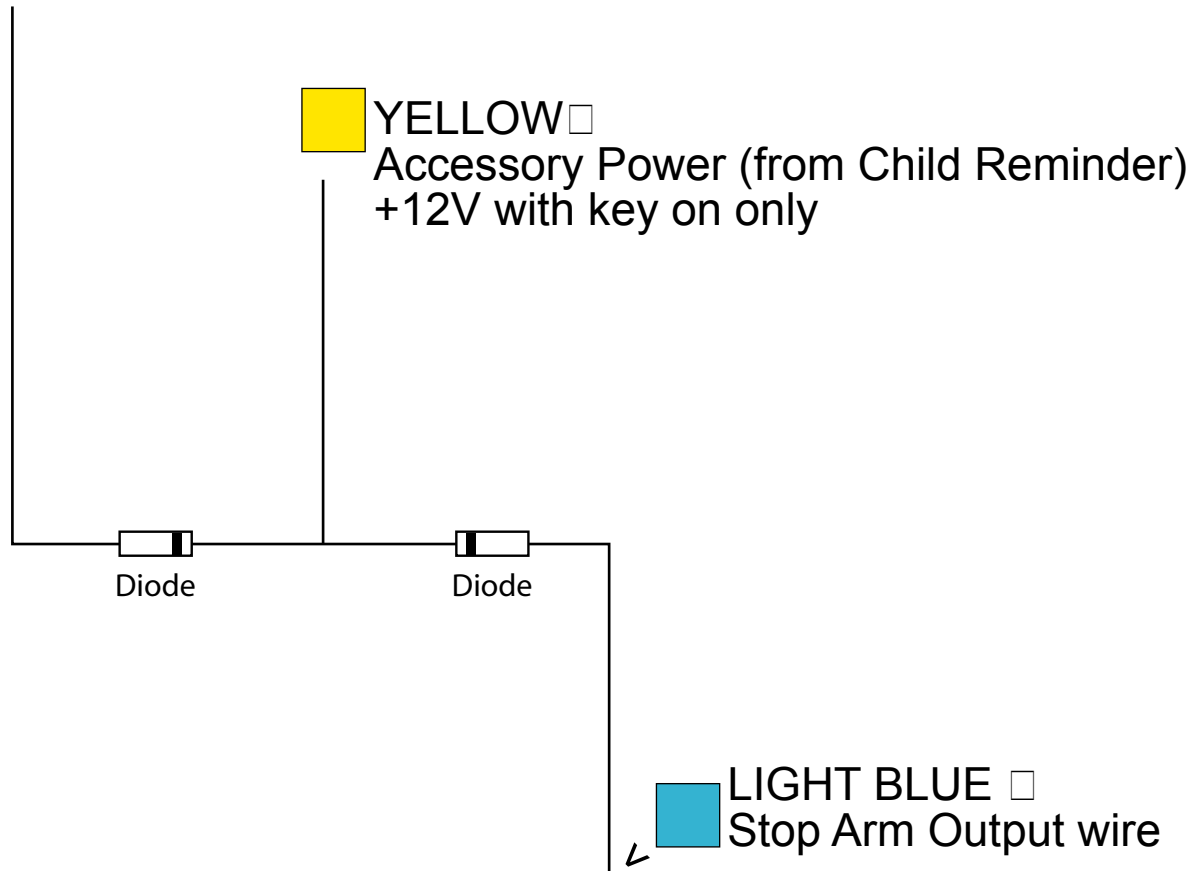


# CALIFORNIA

## WIRING DIAGRAM FOR WIRING TO CALIFORNIA'S SPECIFICATION

+12V Accessory Power



**Warning Light**   
**Flasher**

If you are wiring the Child Reminder to activate when the red warning lights are used, connect the ORANGE wire directly to the Stop Arm  Arm Output of the Warning Light Flasher. If you are wiring the Child Reminder to activate every time the bus is used, connect the ORANGE wire to +12v Accessory power.