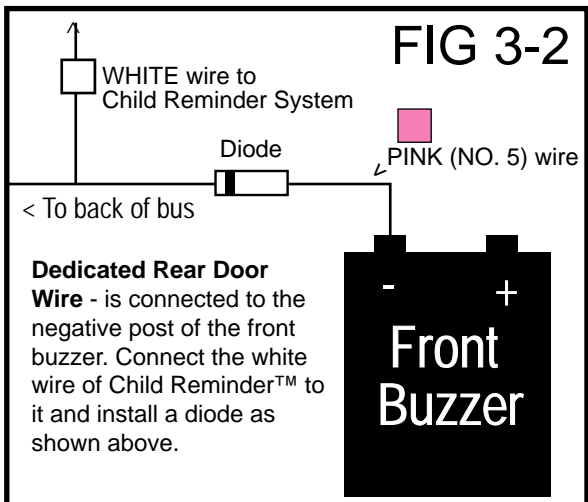
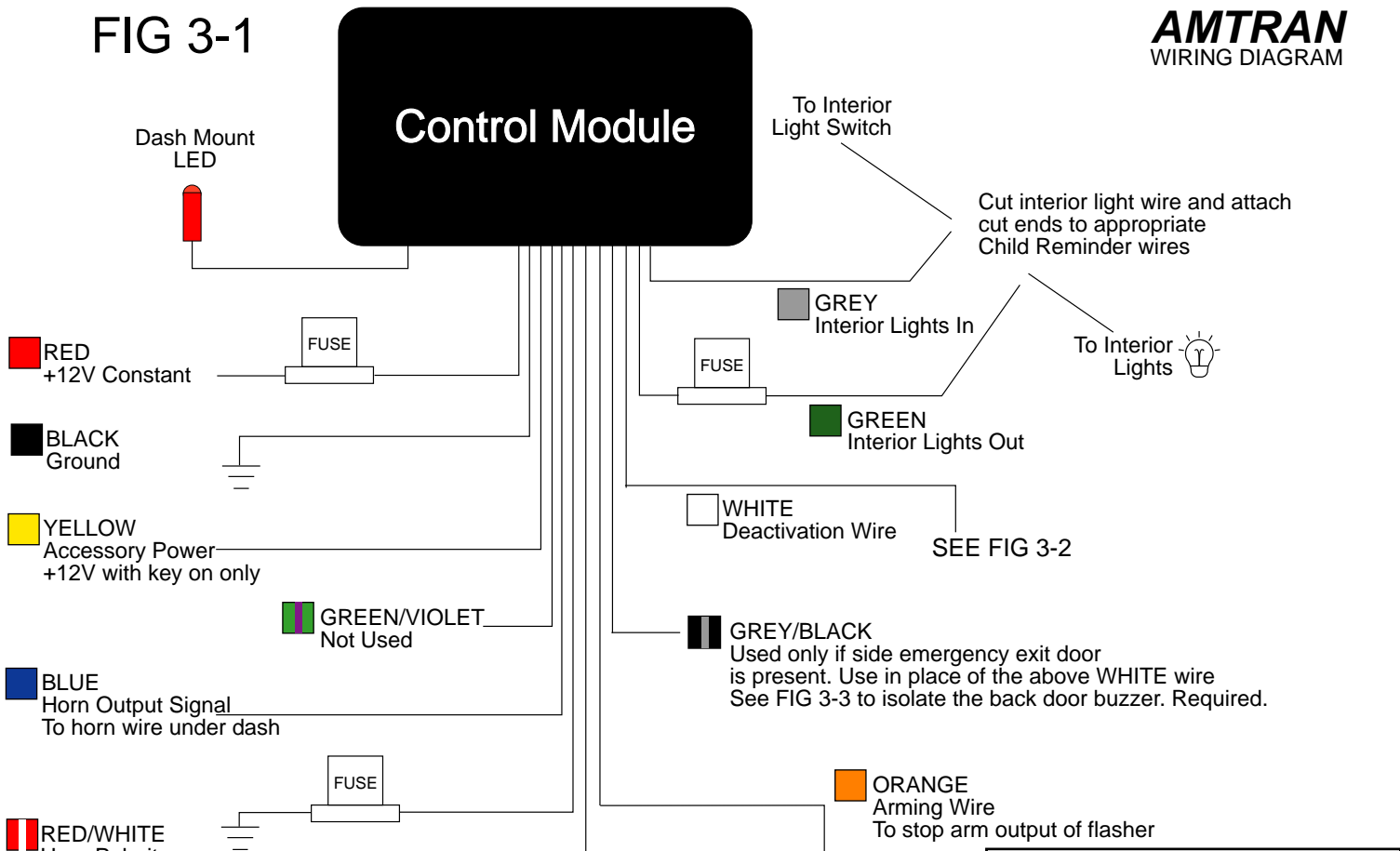
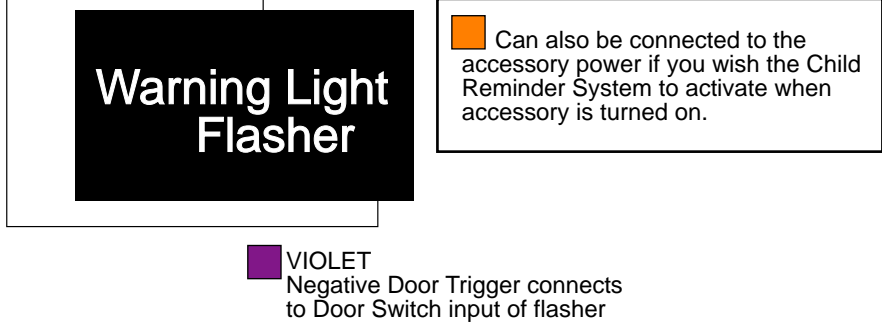
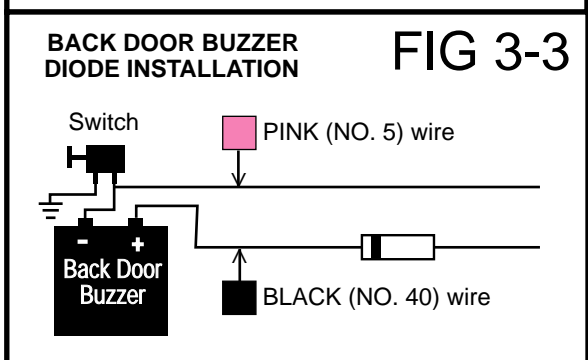


FIG 3-1



See Fig 3-3 on how to install the diodes at the back door/window



Can also be connected to the accessory power if you wish the Child Reminder System to activate when accessory is turned on.

If this is an Air Door bus please refer to the Air Door Kit (ADK) instructions on what to do with the violet wire. These instructions can be found in the ADK1 box or online at [www.crselectronics.com/install.htm](http://www.crselectronics.com/install.htm). Contact your dealer if you do not have this kit. You cannot finish the installation without it.

- TIPS FROM THE PROS**
1. If bus has an Air Door you will require the air door kit as mentioned above. We have found that the YELLOW #50 wire is present but not used. It runs from the Accessory panel around to just a few feet from the Service Door. You can tie into this circuit and save time running and hiding an extra wire for the VIOLET wire.
  2. The Dedicated Rear Door Wire coming off the Front Buzzer running to the back of bus is generally a PINK wire labelled #5.
  3. On new IC buses, you *may* find a PINK #50 wire that is present but not used. It runs across the bulk head and can be used in the same fashion as YELLOW #50. Be careful as these wires are not always blank.
  4. Be sure to check horn polarity AS stated in installation instructions