

FIG 2-1

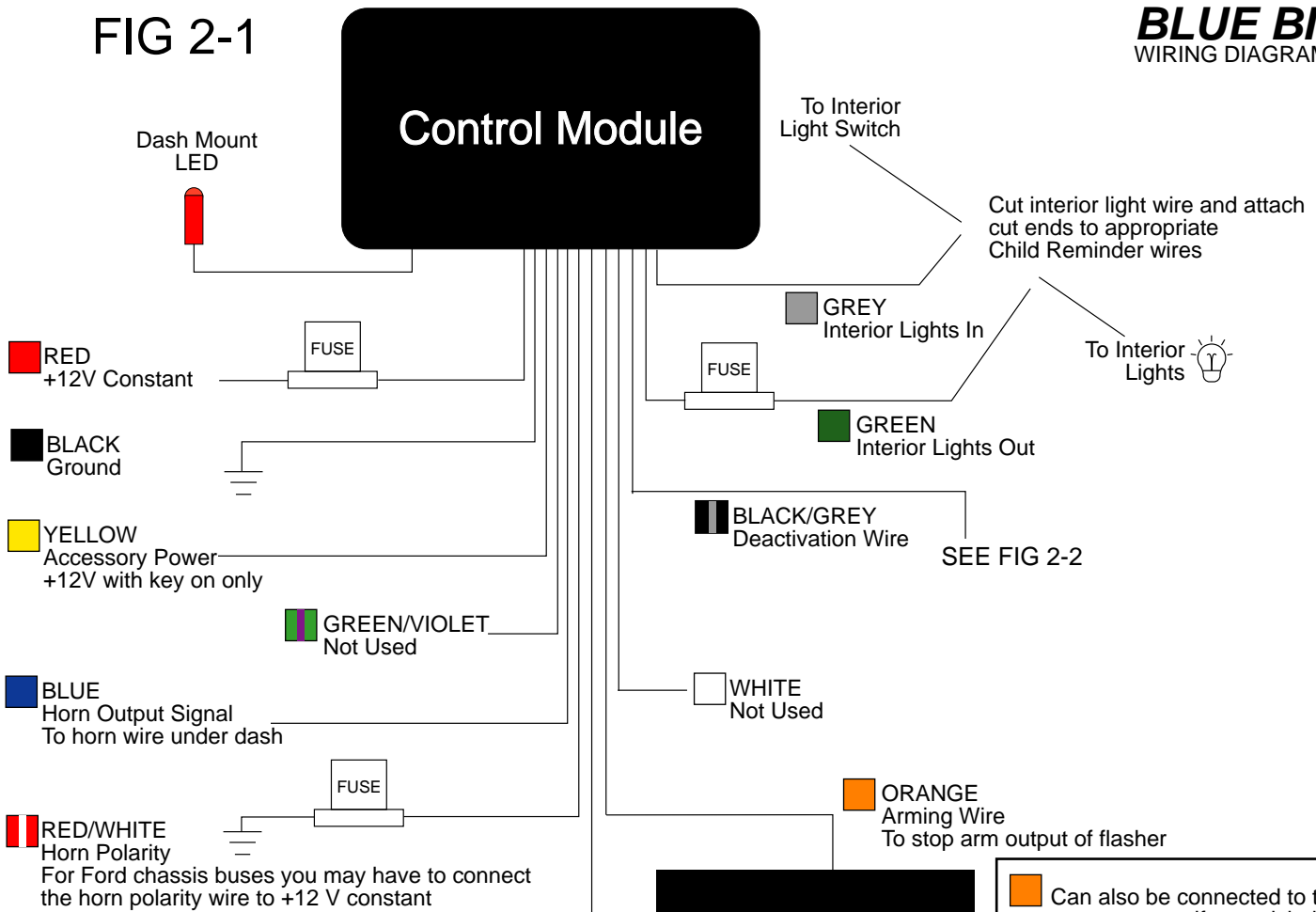


FIG 2-2

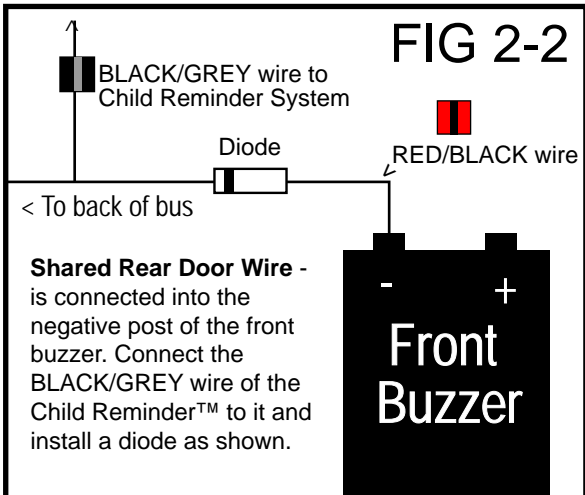
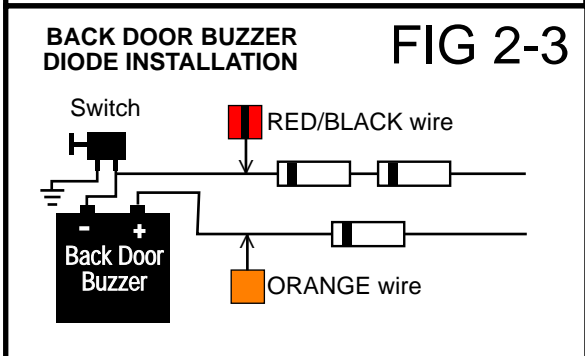


FIG 2-3



- TIPS FROM THE PROS**
1. The Shared Rear Door Wire coming off the Front Buzzer running to the back of bus is generally a RED/BLACK sometimes indicated with a white stamped #2401.
 2. The wire the you must tap the BLUE Child Reminder horn wire to is generally found in split loom tube under dash running down steering column. The color of the wire you would look for is BLACK or LIGHT GREY sometimes labelled 85A. On some International chassis the horn wires were yellow but not labelled.
 3. Be sure to check horn polarity AS stated in installation instructions