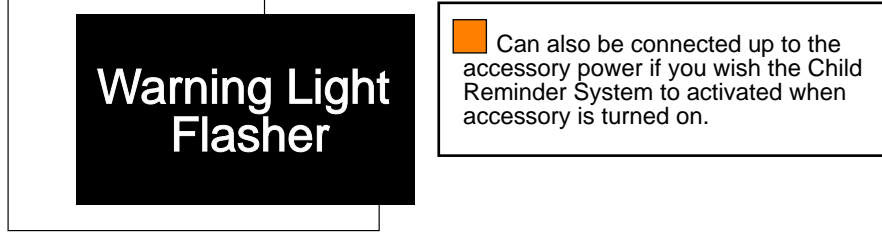
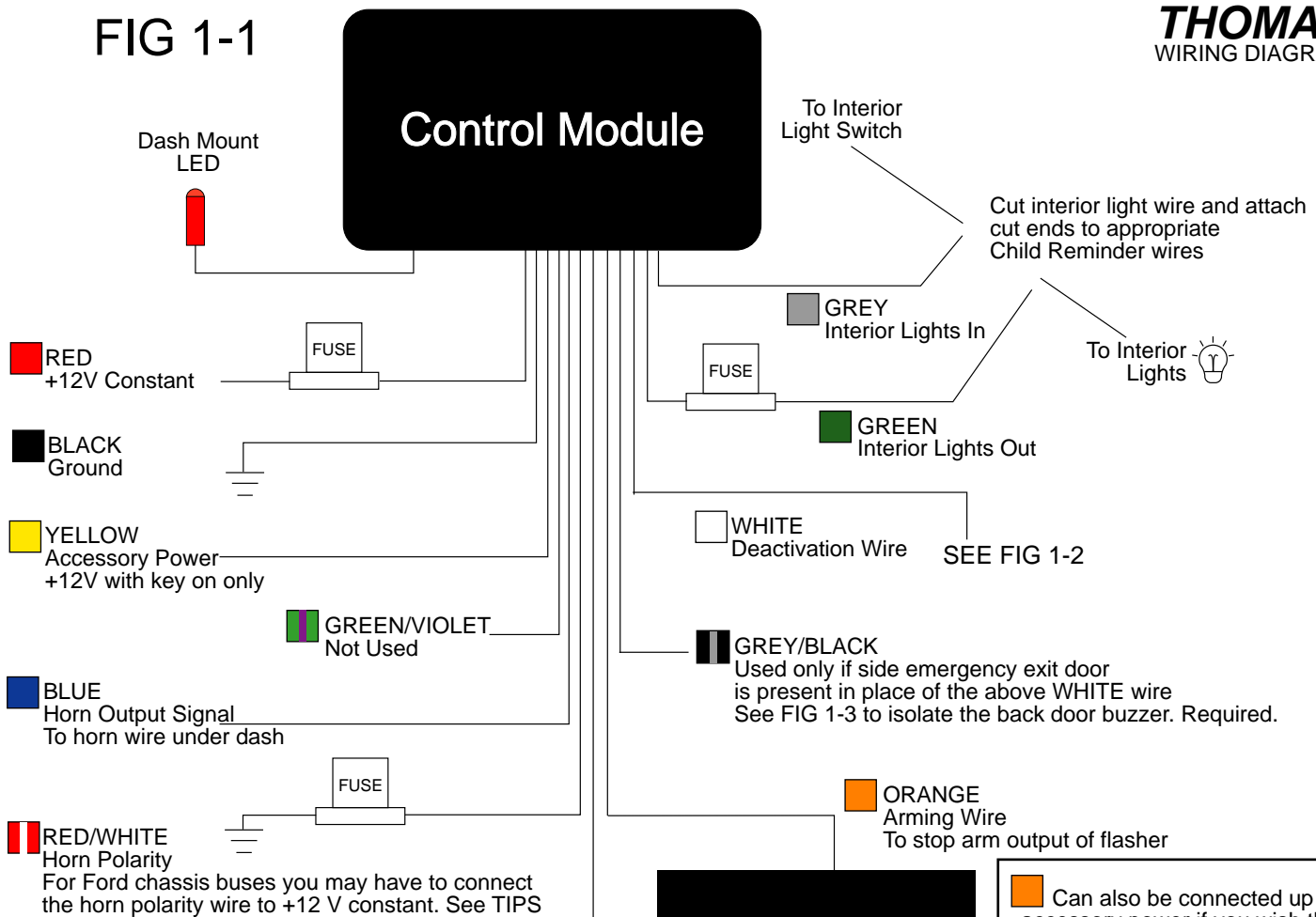


**FIG 1-1**



**If this is an Air Door bus** please refer to the Air Door Kit (ADK) instructions on what to do with the violet wire. These instructions can be found in the ADK1 box or online at [www.crselectronics.com/install.htm](http://www.crselectronics.com/install.htm). Contact your dealer if you do not have this kit. You cannot finish the installation without it.

- TIPS FROM THE PROS**
1. B33 (white) is the +12V ACC feed to the rear buzzer. Install a diode in series with grey stripe facing rear buzzer. If unable to locate in the accessory panel, it can be found at the rear buzzer on the positive side (See Fig 1-3 shows this). A B33 DIODE MUST ALWAYS BE INSTALLED.
  2. B29 (blue) is the wire that the white wire connects to.
  3. B21 is the interior light wire.
  4. Be sure to check horn polarity AS stated in installation instructions

