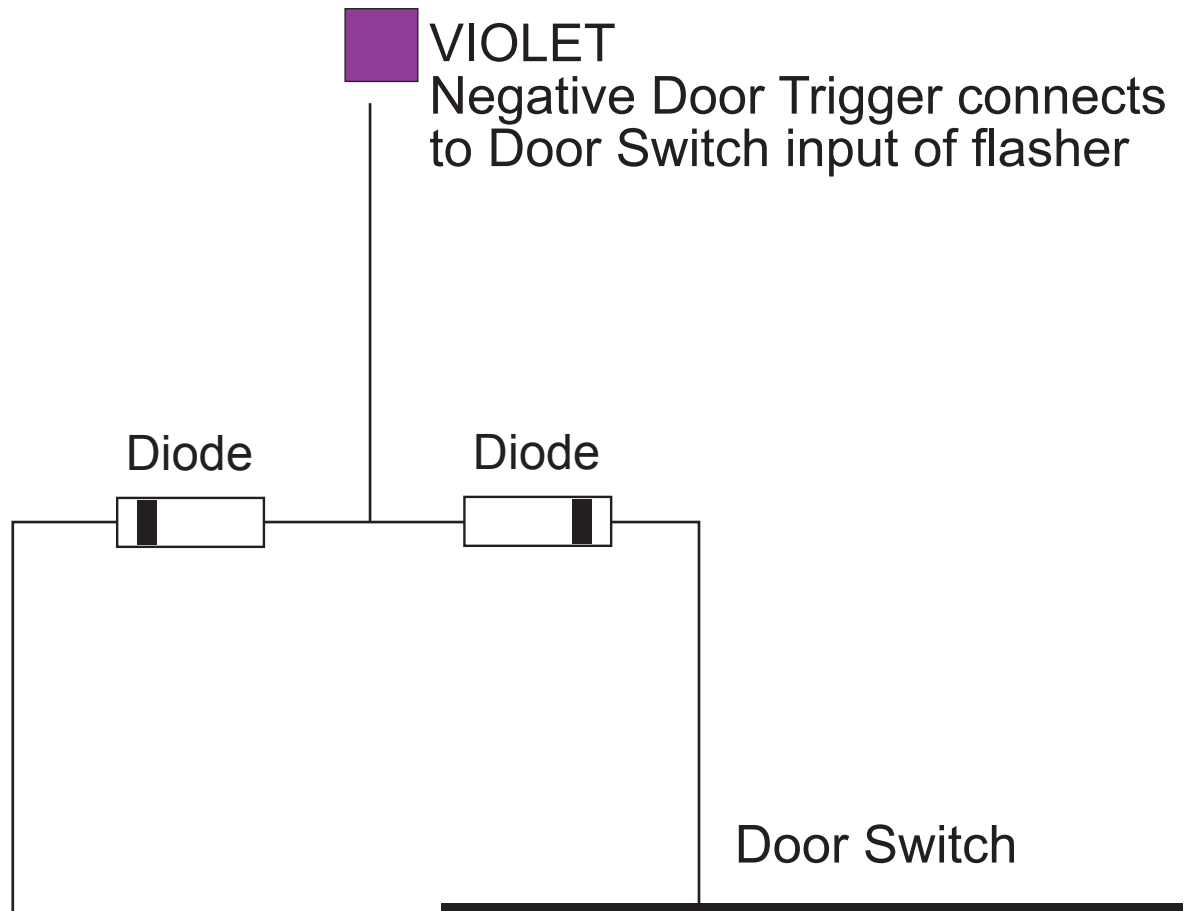


MINI BUS

WIRING DIAGRAM FOR MONITORING THE SERVICE DOOR AND THE DRIVER'S DOOR



Run this wire from where the Childreminder is located to the drivers door and connect to negative door trigger. Also run the BLUE Horn wire from the Child Reminder along with it. See TIPS.

**Warning Light
Flasher**

TIPS FROM THE PROS

1. Because there are two doors to monitor in a typical mini bus, we generally use speaker wire to connect the Horn wire and the Negative Door Trigger wires. It is easier than running two separate wires. We run it from the upper electrical panel down underneath dash leaving some spare wire under the dash for easy wiring. Hide it under all the capping and beauty strip you can find along the way. You can then make the appropriate connections in the electrical panel and underneath the dash. Be cautious when splitting speaker wire as it tends to rip away insulation from wire.