

Alternating Headlight Flasher



Part No. HLF1000

Installation Manual

This product is designed to alternately flash the headlights on a vehicle equipped with a warning light flasher similar to the Weldon 7000, Transpec Safety Flash, Baader-Brown, ELS, etc.

Manufactured by CRS Electronics

Find more innovative products at www.CRSelectronics.com

Wire Colors and Functions

RED

Connect to a source of +12V power. The source of power should be capable of delivering adequate current to illuminate one hi-beam headlight and should only be “live” when the warning light flasher is “live”.

BLACK

Connect to a good chassis ground.

BLUE

Connect to the “LEFT RED” output terminal on the flasher. Do not permanently remove the existing wire connected to this terminal on the flasher. Doing so will disable the left red warning light. Use of a “piggy back” connector is recommended.

GREEN

Connect to the “RIGHT RED” output terminal on the flasher. Do not permanently remove the existing wire connected to this terminal on the flasher. Doing so will disable the right red warning light. Use of a “piggy back” connector is recommended.

ORANGE

Cut the wire carrying the hi-beam signal to the left headlight. Connect the orange wire to the wire running to the headlight.

PURPLE

Connect to the previously cut wire running to the left hi-beam switch.

GREY

Cut the wire carrying the hi-beam signal to the right headlight. Connect the grey wire to the wire running to the headlight.

BROWN

Connect to the previously cut wire running to the right hi-beam switch.

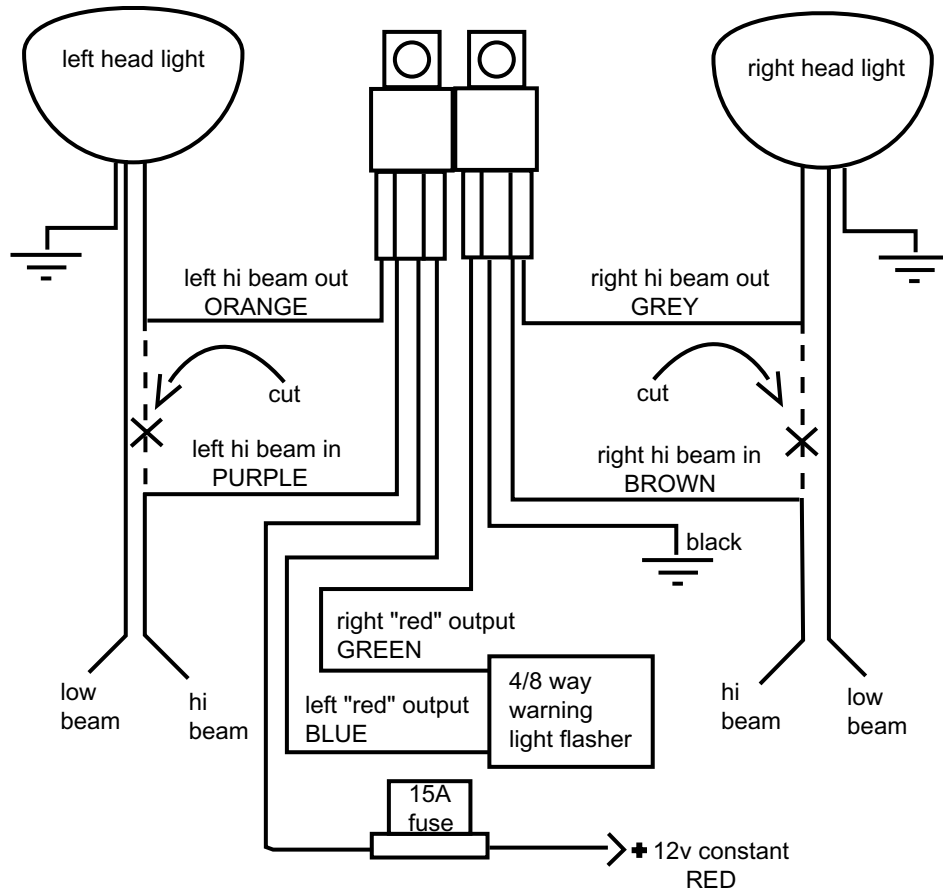
Understanding The HLF1000

This product has been designed specifically for vehicles that already have warning light flashers, but not headlight flashers. Normal warning light flashers such as those found in school buses can not be used to directly flash the headlights of a vehicle because they lack the electrical isolation required and may not be able to handle the additional load. The HLF1000 provides the necessary electrical isolation and utilizes the signals from existing warning light flashers to alternately flash the headlights.

The HLF1000 will automatically begin flashing the vehicle headlights whenever the warning lights begin flashing. In addition, the HLF1000 will not interfere with normal headlight operation. It returns complete control of the headlights to the vehicle immediately upon completion of each individual flash.

The HLF1000 uses 2 standard automotive relay sockets (2 relays included) that have been customized to allow an easy plug-in fit with CRS Electronics relays (Part # RLY1000). Replacement relays can be purchased by calling toll free 1-888-330-6786.

Wiring Diagram



Technical Support: (905) 788-9039
Product Model: HLF1000