

PREPARED FOR: **Sands**
LAS VEGAS SANDS CORP.

MR16

LED MR16 LAMP PRODUCT DATASHEET

REV: A
11/2010



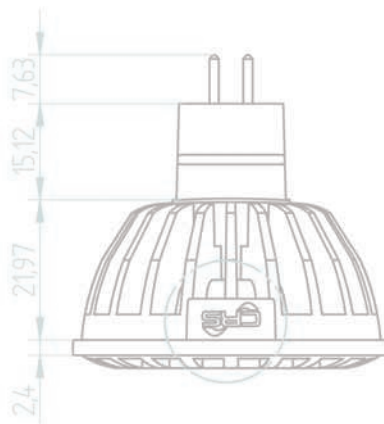
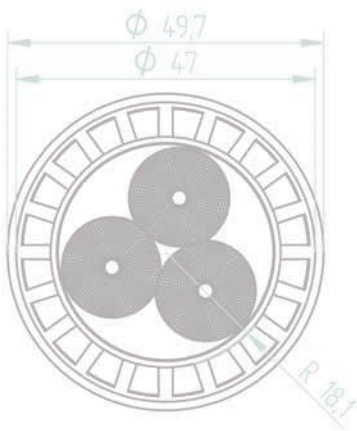
PART NUMBER DESIGNATION

PART NUMBER: ICE MR16-3000-50
DESCRIPTION: MR16, 3000K, NARROW FLOOD BEAM

BENEFITS & FEATURES

- RoHS Compliant Contains no mercury or lead
- Dimmable drive electronics enable dimming with most Triac (standard) wall dimmers.
- World leading LED technology inside enables world class performance for light output.
- CBCP exceeds ENERGY STAR® Integral LED lamp center beam intensity benchmarks.
- Thermal monitoring circuitry ensure that the lamp will automatically reduce power levels to protect itself. Can be used in recessed fixtures without overheating.
- Assembled in North America with solid supply chain management practices - ensures quality components throughout.

DIMENSIONS



SPECIFICATIONS

INPUT POWER: 6.5 - 7.2W

VOLTAGE: 12 VAC

LUMINOUS FLUX: 450 - 500 LM

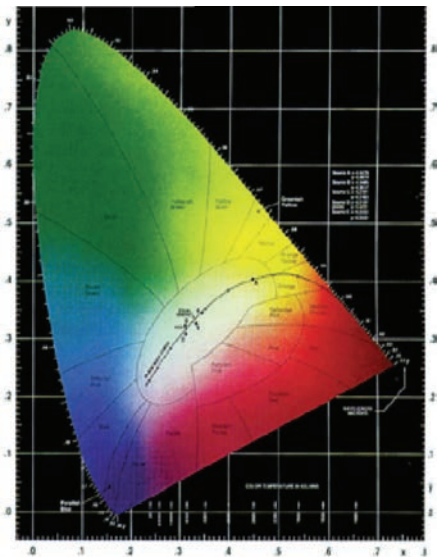
CCT: 3000K (WARM WHITE)

CRI: 85

OPTICAL BEAM: NARROW FLOOD

RATED LIFE: 50,000 HOURS

WARRANTY: 5 YEARS



SUBJECT TO CHANGE WITHOUT NOTICE