



TYPE:
PROJECT:
MODEL NO.:
DATE:



BR30 | E26

Up to 1150 lumens



Superior Performance

Lumenova™ BR30 reflector lamps provide a dimmable 2200K - 4000K LED source for commercial and architectural spaces that require high-performance, energy efficient illumination.

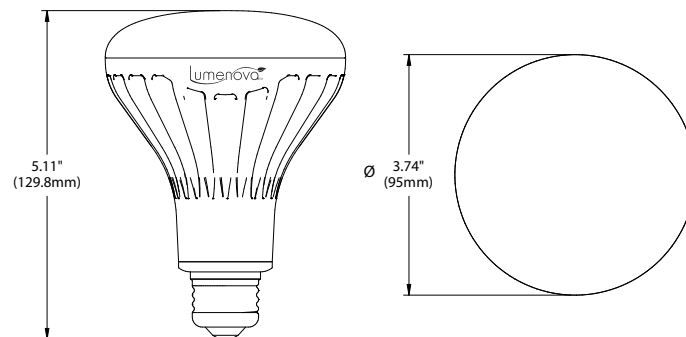
Applications

- Track & recessed fixtures
- Commercial
- Museums
- Retail
- Hospitality

Summary

- Energy efficient, high efficacy — up to 90 lm/W
- Long life — 35,000 hour average rating
- Five color temperatures — 2200K, 2700K, 3000K, 3500K or 4000K
- Smooth dimming to 5% of full light levels with most dimmers

Dimensions



Specifications are typical values and may change without notification. Lumenova™ and related graphics are trademarks of CRS Electronics, Inc.



BR30 | E26

Up to 1150 lumens

Specifications

MODEL	LAMP	BASE	VOLTS	CCT (K)	BEAM	LUMENS (lm)	WATTS (w)	EFFICACY (lm/W)	CRI	LIFE (HOURS)	HOUSING COLOR	WEIGHT LB (G)	INCANDESCENT EQUIVALENT	DIMMABLE	ENERGY STAR
QBR3040SW	BR30	E26	120V	4000	N/A	1150	13.5	90	80	35,000	White	0.75 (340)	85W	✓	✓
QBR3035SW	BR30	E26	120V	3500	N/A	1100	13.5	85	80	35,000	White	0.75 (340)	85W	✓	note 5
QBR3030SW	BR30	E26	120V	3000	N/A	1100	13.5	85	80	35,000	White	0.75 (340)	85W	✓	✓
QBR3027SW	BR30	E26	120V	2700	N/A	1100	13.5	85	80	35,000	White	0.75 (340)	85W	✓	✓
QBR3022SW	BR30	E26	120V	2200	N/A	530	13.5	41	80	35,000	White	0.75 (340)	50W	✓	note 5

Notes:

1. Thermally stable typical lumens ($\pm 10\%$).
2. CCT Range complies with ANSI C78.377-2008.
3. Rated life based on 70% lumen maintenance and engineering testing and probability analysis.
4. Lamps are sold and shipped by the case. BR30 case quantity is four (4) lamps.
5. ENERGY STAR not offered for 2200K, 3500K or 90 CRI. Consult factory for lead times.
6. CAUTION: Not intended for use in totally enclosed fixtures. Do not use where directly exposed to water.
This product is not intended for use with emergency exit fixtures or emergency exit lights.

Ordering Guide

Q Brand	BR30 Lamp Type	30 CCT	S Housing Style	W Housing Color	Options
Q = Lumenova	BR30 = BR30/E26	22 = 2200K ☺ 27 = 2700K 30 = 3000K 35 = 3500K ☺ 40 = 4000K	S = Straight Fin	W = White	(blank) = 80 CRI H = 90 CRI ☺

Certifications

ETL – Conforms to ANSI/UL 1993-2012 and ANSI/UL 8750-2009. Certified to CSA Standard C22.2 No. 1993-09.

FCC – This device complies with Part 15 of the FCC rules. Operation is subject to the following two conditions: (1) this device may not cause harmful interference, and (2) this device must accept any interference received, including interference that may cause undesired operation. Changes or modification not expressly approved by the manufacturer could void the user's authority to operate the equipment.

This Class B Digital apparatus complies with Canadian ICES-003.

5-Year Warranty

This product is warranted to be free from defects in materials and workmanship for a period of 5-years. L70, 70% lumen maintenance over 5 years. For details, visit www.LumenovaLED.com.

Caution – Risk of electric shock. Do not open – no user serviceable parts inside. Do not use where directly exposed to water. Turn power off before installation, inspection, or removal. This product is not intended for use with emergency exit fixtures or emergency exit lights. Dimmable drive electronics enable dimming with most TRIAC (standard) wall dimmers.

Specifications are typical values and may change without notification. Lumenova™ and related graphics are trademarks of CRS Electronics, Inc.